



Toll Free: 1-800-579-8088 Web: www.zinko.com

MODEL

ZM-1500T

Low Profile Transmission Jack

Operation & Maintenance Manual

Important Receiving Instructions

Visually inspect all components for shipping damage. Shipping damage is NOT covered by warranty. If shipping damage is found, notify carrier at once. The carrier is responsible for all repairs and replacement costs during product shipping.

For Your Safety and To Prevent Injury

Read, study and understand all warning labels and operating instructions furnished with this equipment prior to use. If any portion of this material is unclear, contact your representative for clarification. Never allow unskilled or improperly trained personnel to operate this equipment. Use of the transmission jack is limited to the removal and installation of transmissions, transaxles and vehicle components for which appropriate adapters are supplied. DO NOT lift or support vehicles with transmission jack.

Caution Remarks Used In This Manual

WARNING indicates a potential danger that requires correct procedures or practices to avoid personal injury.

Operator Responsibility

It is the operator's responsibility to read and understand all of the following safety statements:

WARNING

1. Be sure vehicle is appropriately supported before starting repairs. **This jack IS NOT a load supporting device.**
2. **DO NOT OVERLOAD.** Overloading can cause damage, failure of the jack, and/or personal or fatal injury.
3. **Use only on hard level surfaces capable of sustaining the load.**
4. Always use the load restraint belt, corner support bracket, and attachments to stabilize and firmly secure the load to the saddle. Insure that the load restraint belt is tight and properly positioned to effectively harness the load. **NEVER USE THIS JACK WITHOUT A LOAD RESTRAINT BELT THAT IS STRONG ENOUGH TO SUPPORT THE TRANSMISSION.**
5. Prior to transporting the load, insure that the jack is adjusted so the saddle is in the lowest horizontal position possible, and the load is centrally located on the saddle.
6. **DO NOT modify this equipment or remove load restraint belt.**
7. It is your responsibility to keep all warning labels and instruction literature legible and intact. Replacement labels and literature are available from the factory.
8. Failure to heed these warnings may result in equipment and/or property damage and/or personal or fatal injury.

Operating Instructions

Preparing the Vehicle for Transmission Removal or Installation

WARNING The entire vehicle must be lifted and supported (use underhoist stands) high enough above the floor so there is space for the jack with transmission to clear the vehicle.

IMPORTANT: It is important to know the center weight balance of the transmission. The transmission saddle should support the center balance of the transmission weight. Consult the vehicle manufacturer for information on the transmission.

WARNING USE ALL THE PRECAUTIONARY MEASURES GIVEN BY THE ABOVE GROUND LIFT MANUFACTURER TO SECURE, SUPPORT, AND LIFT THE VEHICLE TO ITS REQUIRED HEIGHT.

Setup

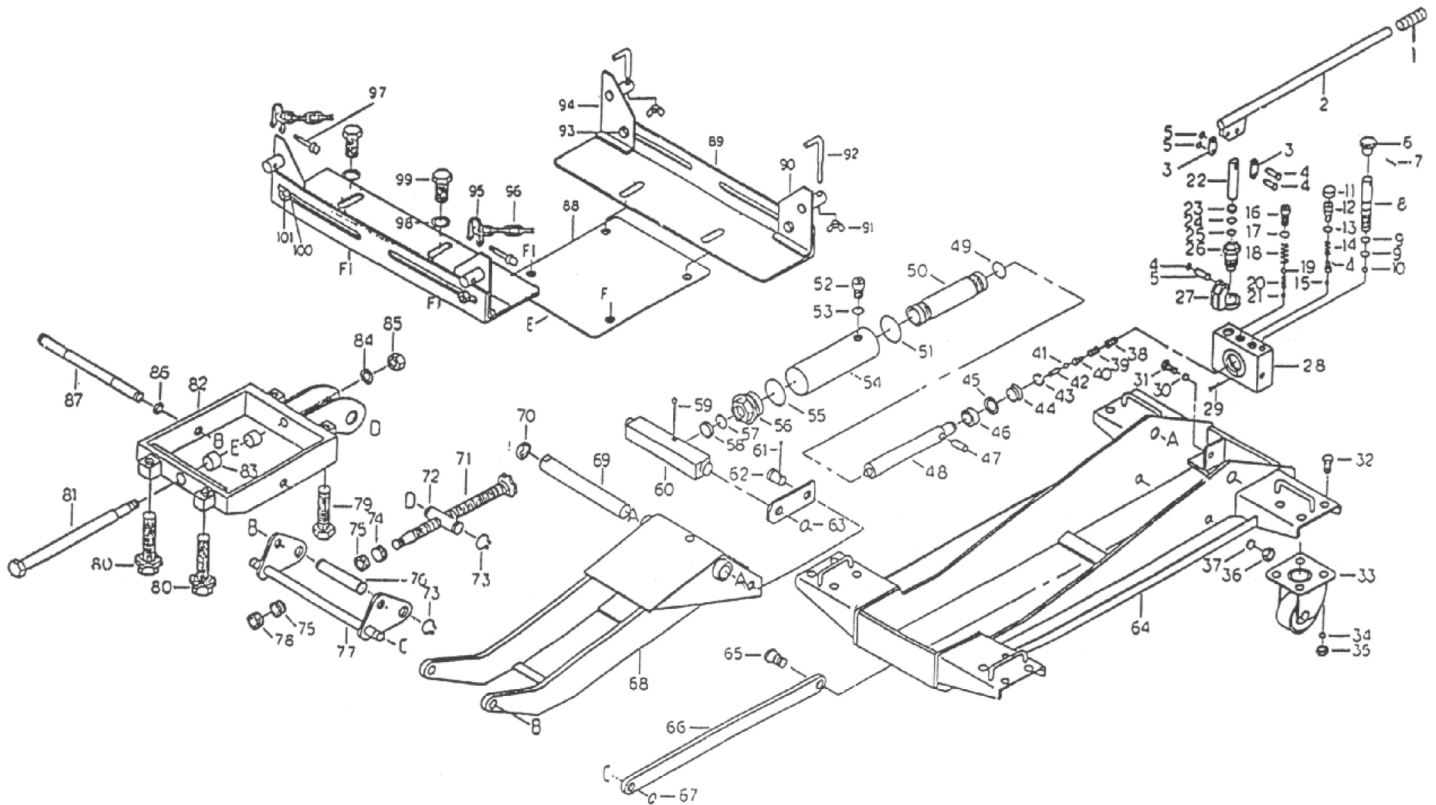
The first time the jack is used, remove the shipping oil plug and install the vented plug.

Jack Operation

1. Position the jack under the transmission.
2. Close the control valve. Operate the pump handle to raise the boom and align the mounting plate with the transmission.
3. Remove the transmission according to the instructions in the vehicles service manual.
4. Position the transmission on the mounting plate, resting against the angle plates. **a)** the mounting plate may be tilted forward and backward by turning the tilt knob. **b)** the mounting plate may be tilted side-to-side by adjusting the two vertical hex screw.
5. Secure the transmission to the mounting plate.
6. Lower the load by slowly opening the control valve. The control valve regulates how fast the boom is lowered.

Zinko Hydraulic Jack

Model: ZM-1500T



#	Description
1	Handle Grip
2	Handle
3	Link
4	Pin
5	Snap Ring
6	Release Knob
7	Expansion Pin
8	Release Valve
9	Release O-Ring
10	Bypass Check Ball
11	Plastic Cap
12	Overload Adj. Screw
13	O-Ring
14	Overload Spring
15	Suction Port Check Ball
16	Valve Port Screw
17	Valve Port Washer
18	Valve Port Spring
19	Steel Ball
20	Spring
21	Steel Check Ball
22	Pump Piston
23	Pump Wiper Seal
24	Pump Backup Ring
25	Pump O-Ring

#	Description
26	Pump Housing
27	Swivel Collar
28	Hyd. Block Assy (Complete)
29	Oil Filter
30	Lock Washer
31	Screw
32	Screw
33	Caster Wheel Assy
34	Lock Washer
35	Nut
36	Guide Arm Nut
37	Guide Arm Washer
38	Bypass Screw
39	Bypass Spring
40	Spring Guide
41	Bypass Check Ball
42	Bypass Valve
43	Snap Ring
44	Cup Seal
45	Backup Ring
46	Bypass Bushing
47	Bypass Limit Pin
48	Ram
49	Cylinder Nut O-Ring
50	Piston Rod

#	Description
51	Cylinder Nut O-Ring
52	Air Release Screw
53	O-Ring
54	Reservoir
55	Cylinder Nut O-Ring
56	Cylinder Nut
57	Cylinder Nut Wiper Ring
58	Cylinder Nut Oil Seal
59	Trunion Cotter Pin
60	Trunion
61	Trunion Cotter Pin
62	Pin
63	Snap Ring
64	Frame Assembly
65	Screw
66	Guide Arm
67	Snap Ring
68	Elevator Arm Assy
69	Arm Pivot Pin
70	Retaining Ring
71	Front/Back Tilt Screw
72	Trunion
73	Snap Ring
74	Nut
75	"T" Bearing

#	Description
76	Pin
77	Saddle Base Support
78	Nut
79	Screw
80	Screw
81	Screw
82	Saddle Base
83	Spacer
84	Lock Washer
85	Nut
86	Retaining Ring
87	Pin
88	Flat Plate
89	Saddle Angle 1
90	Saddle Angle 2
91	Wing Nut
92	Hook Bolt
93	Screw
94	Saddle Angle 3
95	Chain Connector
96	Chain
97	Connector Screw
98	Washer
99	Screw
100	Washer
101	Nut

Zinko Hydraulic Jack

Model: **ZM-1500T**

Troubleshooting

*Repair procedures must be performed in a dirt-free environment by qualified personnel who are familiar with this equipment.

Problem	Solution
1) Will Not Lift to Full Height 2) Will Not Lower Completely	Reservoir could be overfilled. With jack upright: remove filler plug, open release and SLOWLY push jack ram into lowered position. Any excess oil will run out fill hole. Replace filler plug when oil has stopped flowing.
1) Will Not Lift Load 2) Will Not Lift to Full Height 3) Pump Feels "Spongy" Under Load	The jack could be low on oil. With jack in upright position and ram fully lowered, remove filler plug and fill reservoir with CLEAN hydraulic jack oil (correct oil level is reached when oil level is at bottom edge of fill hole). The jack could be "air-bound". Open the release valve one full turn and pump the handle vigorously. Close the release valve and pump to full height. Continue pumping several times at full height. Open the release valve and push ram down into lowered position. Close release valve and operate normally.
Jack Lifts Load, But Doesn't Hold	The cylinder packing could be leaking. Replace the power unit. Valve not working correctly. Inspect valves. Clean and repair seat surfaces.
Jack Leaks Oil	Worn or damaged seals. Replace power unit.
Jack Will Not Retract	Release valve is closed. Open or clean release valve.
Jack Retracts Slowly	Cylinder damaged internally. Send jack to ZINKO authorized service center for repair. Link section is binding. Lubricate link section.

Maintenance Instructions

1. Store the jack in a well protected area where it will not be exposed to corrosive vapors, abrasive dust, or any other harmful elements.
2. Lubricate the jack regularly. A medium weight lubricating grease should be used on all external moving parts, such as bearing surface, pivot points, tilt screws, etc.
3. Replace the oil in the reservoir at least once per year. To check the oil level, place the jack on level ground and lower the lift arm completely. Remove the oil filter plug. The oil level should be within 3/8" of the filter plug hole. If necessary, add approved anti-wear hydraulic jack oil and install the filler plug again. **IMPORTANT: The use of alcohol, hydraulic brake fluid, detergent motor oil, or transmission oil could damage the seals and result in jack failure.**
4. If the jack fails to operate, check oil level and/or bleed unit before seeking service.
5. DO NOT use this jack as a wash rack when washing or steam cleaning transmissions.



ZINKO HYDRAULIC JACK

PO Box 4903, Ontario, CA 91761

Toll Free: 1-800-579-8088

www.zinkojack.com

Phone: (909) 230-4100

Fax: (909) 230-4137